

# **XC Series 7-40kW**

**Intelligent mobile DC charging pile**

**Product Specification**



## Catalogs

1.Overview.....	2
2.Safety instructions.....	3
3.Appearance and Composition.....	4
4.Detailed technical parameters.....	4
5.Instructions for.....	11
6.Precautions for Use.....	15
7.The appendix.....	16

## 1.Overview

### 1.1 Introduction

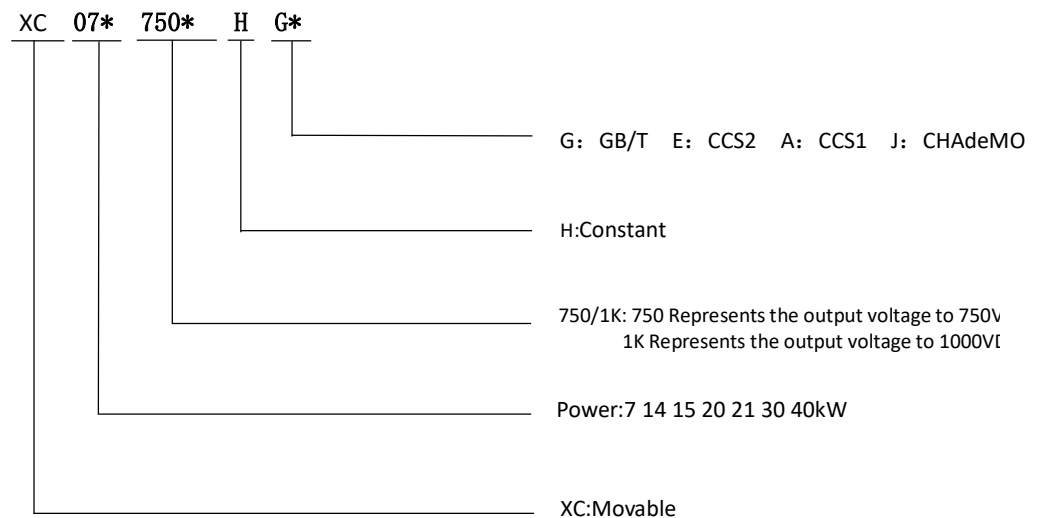


#### Intelligent mobile DC charging pile

It is a new type of DC power equipment specially designed for electric vehicles and provides a friendly human-machine operation interface. The product is movable to facilitate the user's experience. The shape of the charger is shown on the left.

The products are divided into GB/T,CCS1,CCS2 and CHAdeMO, which can be individualized to a specific standard and also can realize the free switching of multiple standards to meet the needs of global customers in all aspects. Please feel free to contact us for any requirements.

### 1.2 Product model explanation



## 2.Safety instructions

- Charging operation shall follow the operation instructions provided by our company;
- Non-professionals are strictly prohibited to open the charging machine cabinet; Do not disassemble or assemble without permission;
- When stopping midway, manually click the button to stop and then pull out the charging gun;
- It is strictly forbidden to insert or remove the charging gun directly during the charging process, otherwise it will burn out the charging gun and even the charger;
- Any operation unrelated to charging is prohibited during the charging process, and other operations can be carried out only when the charging gun is disconnected from the car and the charger button is clicked to stop.
- Avoid fireworks (open fire) near the charger and pay attention to ventilation;

- The fuse must be replaced with the same type of product, not with copper, iron wire replacement;
- There is high voltage in the charger, and any fault should be repaired by professional personnel to avoid danger;
- The superior circuit breaker and distribution device of the charger shall be selected, installed and operated by professional electrician;
- In severe weather such as thunderstorms, you are advised to disconnect the power supply. If water accumulates in the charger, contact the personnel of the manufacturer to handle the water before continuing to use the charger.
- The unit weight of the charging gun cable is large, and the long cable is easy to drag force in the actual charging process, which is not conducive to releasing the twisting force, increasing the risk of cable distortion and bulge, and affecting the service life of the product. Therefore, do not pull or twist the charging cable. The cable of the charging gun must be smoothed and not twisted to force the charging gun holder during use.
- Do not shake the charging gun from side to side when inserting or removing the charging gun. Insert and remove the charging gun vertically.
- If any of the following conditions occur, please turn off the power in time and notify professional personnel for repair:

- Abnormal sound appears inside the charger;
- Odor or smoke from inside the charger;
- No display or response on the charger screen;
- The charger has an unrecoverable fault alarm;



Note: Before powering on and running, ensure that the equipment shell is effectively connected to the earth, otherwise there may be electric shock risk!

### 3.Appearance and Composition



CCS2

GB/T

CHAdeMO

CCS1

#### 4.Detailed technical parameters

7kW

ITEM		XC07750 (G: GB/T E: CCS2 A: CCS1 J: CHAdeMO)
INPUT	Voltage range	90-265Vac, 220V (rated voltage)
	Working frequency	45-65HZ
	The power factor	≥0.99
	Input current	0-32A
	Input cable length	5m
OUTPUT	Power	7kW
	Auxiliary power supply	GB/T: 12V/24V CCS CHAdeMO: 12V
	Voltage range	200-750Vdc
	Output current	0-20A
	Charger mode	Single/Supports replacement of different standard charging plugs
	Charger plug	GB/T:3m CCS1 CCS2 CHAdeMO:5m
The work environment	Temperature range	-20~50℃; 25℃ (type)
	Humidity range	5~90RH%; (non-condensation)
	The altitude	2000M
	Working environment	Indoor
Dimensions and protection	Machine size(mm)	635×295×500mm (Excluding head, handle and casters)
	Packing size(mm)	Wooden box: 835×520×530mm Carton: 835×520×440mm
	Packing/weight	Carton G.W:28KG Wooden box G.W:43KG The above weight is only a reference weight for standard configurations. If the weight is increased due to accessories, the actual weight will prevail
	IP	IP44
Charging mode		Plug-and-charge, swipe permission card, password activation
Protective function		Input over/under voltage protection; output over voltage protection; over temperature protection; over current protection; short circuit protection
Human-computer interaction		4.3-inch color touch screen
Screen language		Chinese, English (other languages can be customized)
Installation		Movable
Charging standard		GB/T: GB/T 18487 、GB/T 20234、GB/T 27930
		CCS: EN61851、EN62196、ISO15118、DIN70121
		CHAdeMO: CHAdeMO

**14kW**

ITEM		XC14750 (G: GB/T E: CCS2 A: CCS1 J: CHAdeMO)
INPUT	Voltage range	90-265Vac, 220V (rated voltage)
	Working frequency	45-65HZ
	The power factor	≥0.99
	Input current	0-64A
	Input cable length	5m
OUTPUT	Power	14kW
	Auxiliary power supply	GB/T: 12V/24V CCS CHAdeMO: 12V
	Voltage range	200-750Vdc
	Output current	0-40A
	Charger mode	Single/Supports replacement of different standard charging plugs
	Charger plug	GB/T:3m CCS1 CCS2 CHAdeMO:5m
The work environment	Temperature range	-20~50℃; 25℃ (type)
	Humidity range	5~90RH%; (non-condensation)
	The altitude	2000M
	Working environment	Indoor
Dimensions and protection	Machine size(mm)	635×295×500mm (Excluding head, handle and casters)
	Packing size(mm)	Wooden box: 835×520×530mm Carton: 835×520×440mm
	Packing/weight	Carton G.W:42KG Wooden box G.W:57KG The above weight is only a reference weight for standard configurations. If the weight is increased due to accessories, the actual weight will prevail
	IP	IP44
Charging mode		Plug-and-charge, swipe permission card, password activation
Protective function		Input over/under voltage protection; output over voltage protection; over temperature protection; over current protection; short circuit protection
Human-computer interaction		4.3-inch color touch screen
Screen language		Chinese, English (other languages can be customized)
Installation		Movable
Charging standard		GB/T: GB/T 18487 、GB/T 20234、GB/T 27930
		CCS: EN61851、EN62196、ISO15118、DIN70121
		CHAdeMO: CHAdeMO

**15kW**

ITEM		XC15750 (G: GB/T E: CCS2 A: CCS1 J: CHAdeMO)
INPUT	Voltage range	90-265Vac, 220V (rated voltage)
	Working frequency	45-65HZ
	The power factor	≥0.99
	Input current	0-30A
	Input cable length	5m
OUTPUT	Power	15kW
	Auxiliary power supply	GB/T: 12V/24V CCS CHAdeMO: 12V
	Voltage range	200-750Vdc
	Output current	0-37.5A
	Charger mode	Single/Supports replacement of different standard charging plugs
	Charger plug	GB/T:3m CCS1 CCS2 CHAdeMO:5m
The work environment	Temperature range	-20~50℃; 25℃ (type)
	Humidity range	5~90RH%; (non-condensation)
	The altitude	2000M
	Working environment	Indoor
Dimensions and protection	Machine size(mm)	635×295×500mm (Excluding head, handle and casters)
	Packing size(mm)	Wooden box: 835×520×530mm Carton: 835×520×440mm
	Packing/weight	Carton G.W:42KG Wooden box G.W:57KG The above weight is only a reference weight for standard configurations. If the weight is increased due to accessories, the actual weight will prevail
	IP	IP44
Charging mode		Plug-and-charge, swipe permission card, password activation
Protective function		Input over/under voltage protection; output over voltage protection; over temperature protection; over current protection; short circuit protection
Human-computer interaction		4.3-inch color touch screen
Screen language		Chinese, English (other languages can be customized)
Installation		Movable
Charging standard		GB/T: GB/T 18487 、GB/T 20234、GB/T 27930
		CCS: EN61851、EN62196、ISO15118、DIN70121
		CHAdeMO: CHAdeMO

**20kW**

ITEM		XC20750/1K (G: GB/T E: CCS2 A: CCS1 J: CHAdeMO)	
INPUT	Voltage range	90-265Vac, 220V (rated voltage)	
	Working frequency	45-65HZ	
	The power factor	≥0.99	
	Input current	0-38A	
	Input cable length	5m	
OUTPUT	Power	20kW	
	Auxiliary power supply	GB/T: 12V/24V CCS CHAdeMO: 12V	
	Voltage range	200-750Vdc	200-1000Vdc
	Output current	0-50A	0-67A
	Charger mode	Single/Supports replacement of different standard charging plugs	
	Charger plug	GB/T:3m CCS1 CCS2 CHAdeMO:5m	
The work environment	Temperature range	-20~50℃; 25℃ (type)	
	Humidity range	5~90RH%; (non-condensation)	
	The altitude	2000M	
	Working environment	Indoor	
Dimensions and protection	Machine size(mm)	635×295×500mm (Excluding head, handle and casters)	
	Packing size(mm)	Wooden box: 835×520×530mm Carton: 835×520×440mm	
	Packing/weight	Carton G.W:46KG Wooden box G.W:61KG The above weight is only a reference weight for standard configurations. If the weight is increased due to accessories, the actual weight will prevail	
	IP	IP44	
Charging mode		Plug-and-charge, swipe permission card, password activation	
Protective function		Input over/under voltage protection; output over voltage protection; over temperature protection; over current protection; short circuit protection	
Human-computer interaction		4.3-inch color touch screen	
Screen language		Chinese, English (other languages can be customized)	
Installation		Movable	
Charging standard		GB/T: GB/T 18487、GB/T 20234、GB/T 27930	
		CCS: EN61851、EN62196、ISO15118、DIN70121	
		CHAdeMO: CHAdeMO	



**21kW**

ITEM		XC21750 (G: GB/T E: CCS2 A: CCS1 J: CHAdeMO)
INPUT	Voltage range	90-265Vac, 220V (rated voltage)
	Working frequency	45-65HZ
	The power factor	≥0.99
	Input current	0-96A
	Input cable length	5m
OUTPUT	Power	21kW
	Auxiliary power supply	GB/T: 12V/24V CCS CHAdeMO: 12V
	Voltage range	200-750Vdc
	Output current	0-60A
	Charger mode	Single/Supports replacement of different standard charging plugs
	Charger plug	GB/T:3m CCS1 CCS2 CHAdeMO:5m
The work environment	Temperature range	-20~50℃; 25℃ (type)
	Humidity range	5~90RH%; (non-condensation)
	The altitude	2000M
	Working environment	Indoor
Dimensions and protection	Machine size(mm)	635×295×500mm (Excluding head, handle and casters)
	Packing size(mm)	Wooden box: 835×520×530mm Carton: 835×520×440mm
	Packing/weight	Carton G.W:56KG Wooden box G.W:71KG The above weight is only a reference weight for standard configurations. If the weight is increased due to accessories, the actual weight will prevail
	IP	IP44
Charging mode		Plug-and-charge, swipe permission card, password activation
Protective function		Input over/under voltage protection; output over voltage protection; over temperature protection; over current protection; short circuit protection
Human-computer interaction		4.3-inch color touch screen
Screen language		Chinese, English (other languages can be customized)
Installation		Movable
Charging standard		GB/T: GB/T 18487 、GB/T 20234、GB/T 27930
		CCS: EN61851、EN62196、ISO15118、DIN70121
		CHAdeMO: CHAdeMO

**30kW**

ITEM		XC30750 (G: GB/T E: CCS2 A: CCS1 J: CHAdeMO)
INPUT	Voltage range	90-265Vac, 220V (rated voltage)
	Working frequency	45-65HZ
	The power factor	≥0.99
	Input current	0-45A
	Input cable length	5m
OUTPUT	Power	30kW
	Auxiliary power supply	GB/T: 12V/24V CCS CHAdeMO: 12V
	Voltage range	200-750Vdc
	Output current	0-75A
	Charger mode	Single/Supports replacement of different standard charging plugs
	Charger plug	GB/T:3m CCS1 CCS2 CHAdeMO:5m
The work environment	Temperature range	-20~50℃; 25℃ (type)
	Humidity range	5~90RH%; (non-condensation)
	The altitude	2000M
	Working environment	Indoor
Dimensions and protection	Machine size(mm)	635×295×500mm (Excluding head, handle and casters)
	Packing size(mm)	Wooden box: 835×520×530mm Carton: 835×520×440mm
	Packing/weight	Carton G.W:46KG Wooden box G.W:61KG The above weight is only a reference weight for standard configurations. If the weight is increased due to accessories, the actual weight will prevail
	IP	IP44
Charging mode		Plug-and-charge, swipe permission card, password activation
Protective function		Input over/under voltage protection; output over voltage protection; over temperature protection; over current protection; short circuit protection
Human-computer interaction		4.3-inch color touch screen
Screen language		Chinese, English (other languages can be customized)
Installation		Movable
Charging standard		GB/T: GB/T 18487 、GB/T 20234、GB/T 27930
		CCS: EN61851、EN62196、ISO15118、DIN70121
		CHAdeMO: CHAdeMO

**40kW**

ITEM		XC40750/1K (G: GB/T E: CCS2 A: CCS1 J: CHAdeMO)	
INPUT	Voltage range	90-265Vac, 220V (rated voltage)	
	Working frequency	45-65HZ	
	The power factor	≥0.99	
	Input current	0-64A	
	Input cable length	5m	
OUTPUT	Power	40kW	
	Auxiliary power supply	GB/T: 12V/24V CCS CHAdeMO: 12V	
	Voltage range	200-750Vdc	200-1000Vdc
	Output current	0-50A	0-67A
	Charger mode	Single/Supports replacement of different standard charging plugs	
	Charger plug	GB/T:3m CCS1 CCS2 CHAdeMO:5m	
The work environment	Temperature range	-20~50℃; 25℃ (type)	
	Humidity range	5~90RH%; (non-condensation)	
	The altitude	2000M	
	Working environment	Indoor	
Dimensions and protection	Machine size(mm)	635×295×500mm (Excluding head, handle and casters)	
	Packing size(mm)	Wooden box: 835×520×530mm Carton: 835×520×440mm	
	Packing/weight	Carton G.W:65KG Wooden box G.W:80KG The above weight is only a reference weight for standard configurations. If the weight is increased due to accessories, the actual weight will prevail	
	IP	IP44	
Charging mode		Plug-and-charge, swipe permission card, password activation	
Protective function		Input over/under voltage protection; output over voltage protection; over temperature protection; over current protection; short circuit protection	
Human-computer interaction		4.3-inch color touch screen	
Screen language		Chinese, English (other languages can be customized)	
Installation		Movable	
Charging standard		GB/T: GB/T 18487、GB/T 20234、GB/T 27930	
		CCS: EN61851、EN62196、ISO15118、DIN70121	
		CHAdeMO: CHAdeMO	

## 5. Instructions for

### 5.1 Equipment installation

The charging equipment has high voltage and high current inside, in order to ensure personal safety, should always comply with the relevant regulations:

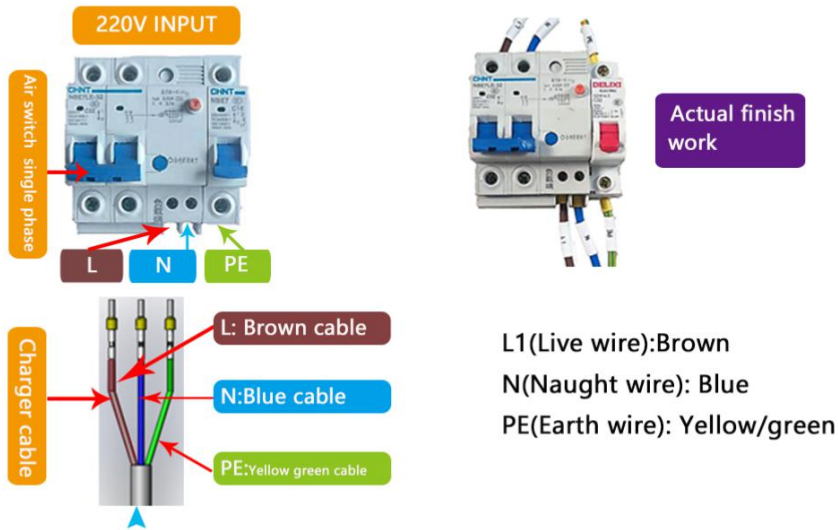
- (1) Only personnel who have received charging equipment training and fully grasp the knowledge of DC chargers can install this equipment. Safety precautions and local safety regulations should always be observed during installation;
- (2) The internal operation and maintenance of the charger cannot be carried out in thunderstorm weather or relatively humid weather to prevent electric shock;
- (3) If operating inside the charger, ensure that the equipment is not charged.

### 5.2 Wiring instructions

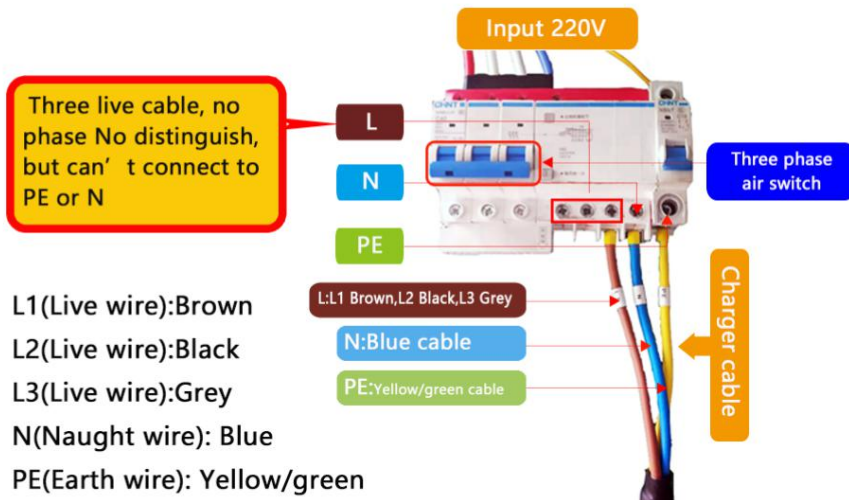
Input cable model reference

Product mode	Input cable		
	Cable	Postion	Specification
7kw	AC single phase A	Plastic-case circuit breaker L1	$\geq 6\text{mm}^2$
	AC input N	Plastic-case circuit breaker N	$\geq 6\text{mm}^2$
	AC PE	Wire bar	$\geq 6\text{mm}^2$
15kw 20kw	AC three phases A	Plastic-case circuit breaker L1	$\geq 6\text{mm}^2$
	AC three phases B	Plastic-case circuit breaker L2	$\geq 6\text{mm}^2$
	AC three phases C	Plastic-case circuit breaker L3	$\geq 6\text{mm}^2$
	AC input N	Plastic-case circuit breaker N	$\geq 6\text{mm}^2$
	AC PE	Wire bar	$\geq 6\text{mm}^2$
30kw	AC three phases A	Plastic-case circuit breaker L1	$\geq 10\text{mm}^2$
	AC three phases B	Plastic-case circuit breaker L2	$\geq 10\text{mm}^2$
	AC three phases C	Plastic-case circuit breaker L3	$\geq 10\text{mm}^2$
	AC input N	Plastic-case circuit breaker N	$\geq 6\text{mm}^2$
	AC PE	Wire bar	$\geq 6\text{mm}^2$
40kw	AC three phases A	Plastic-case circuit breaker L1	$\geq 16\text{mm}^2$
	AC three phases B	Plastic-case circuit breaker L2	$\geq 16\text{mm}^2$
	AC three phases C	Plastic-case circuit breaker L3	$\geq 16\text{mm}^2$
	AC input N	Plastic-case circuit breaker N	$\geq 10\text{mm}^2$
	AC PE	Wire bar	$\geq 10\text{mm}^2$
<p><b>The cable selection in the table is for reference only, and should be determined by the contractor with power construction qualification according to the actual situation, laying length, laying environment and other factors</b></p>			

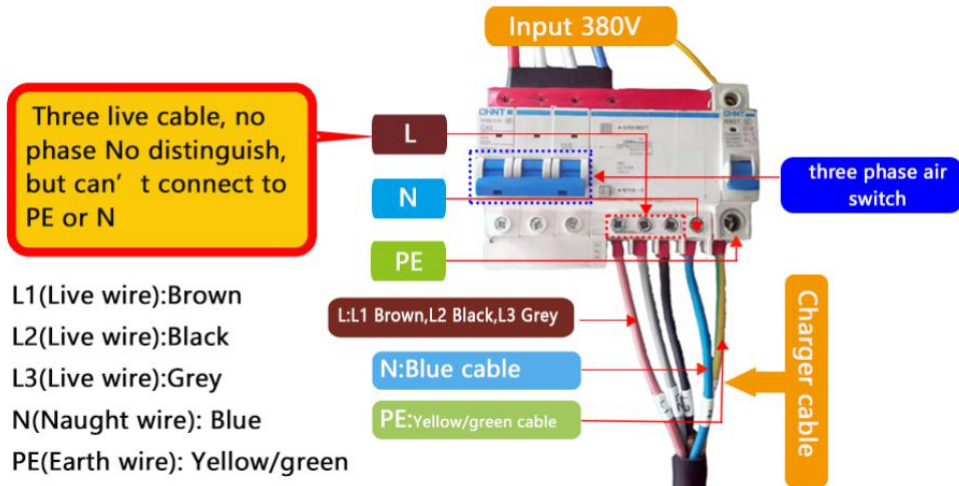
### Single-phase 2P switch connection method(7KW)



### Single-phase 3P switch connection method(7KW)



### Three-phases 3P switch connection method(15-20-30-40KW)



### 5.3 charger



Step 1: Plug in the charging connector



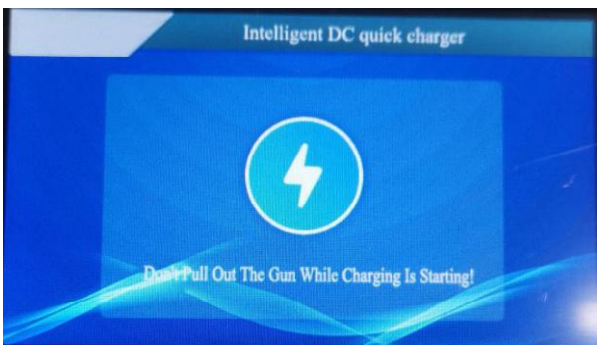
Step 2: Switch the input line to ON



Step 3: Turn ON the back of the charger to ON



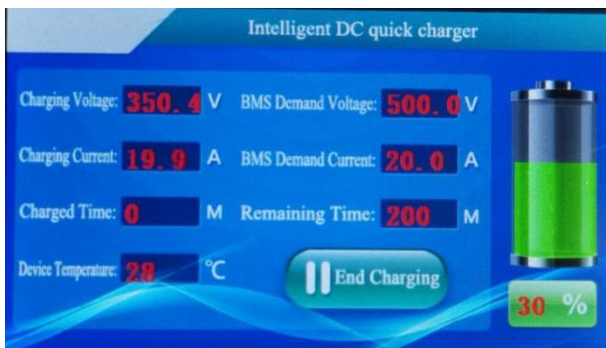
Step 4: Welcome charging interface



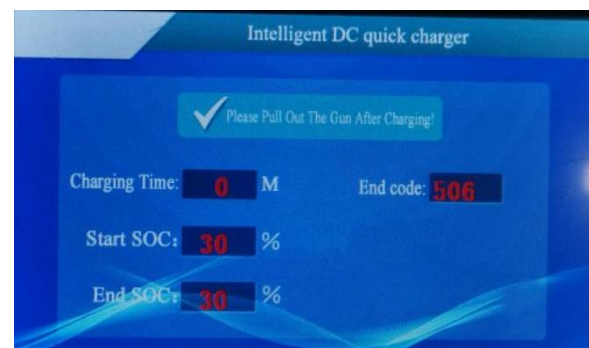
Step 5: connecting



Step 6: Enter the start up interface

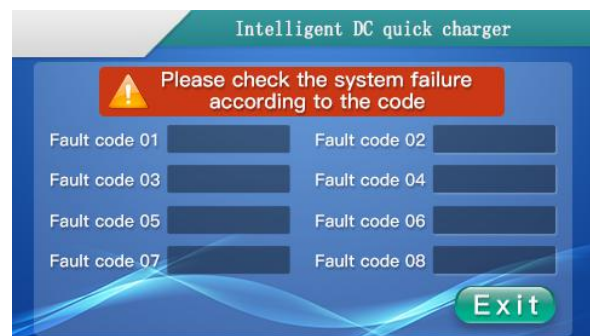


Step 7: Charging interface



Step 8: Charge finished, draw gun, charge completed

## 5.4 Fault display interface



## 5.5 Routine maintenance table

Check the content	Check the method	Maintenance cycle
General operating status and environment of the system	<ol style="list-style-type: none"> <li>1. Observe whether the components, circuit and device structure of the charger are damaged or deformed;</li> <li>2. Listen to whether there is any abnormal sound when the charger is running;</li> <li>3. Check whether the data display on the touch screen is normal.</li> <li>4. Check whether the switch, contactor, circuit breaker, and fan are normal.</li> <li>5. Check whether the heat of the charger shell is normal;</li> <li>6. Observe whether the inlet and outlet air is normal;</li> <li>7. Check the humidity and dust around the charger.</li> </ol> <p>Attention! Intake ventilation must be checked. If the module is not cooled effectively, it will fail due to overheating.</p>	Once every six months
System clean	<ol style="list-style-type: none"> <li>1. Check the cleanliness of circuit boards and components;</li> <li>2. Check the temperature and dust of the internal charging module. Remove the module and clean it if necessary.</li> </ol>	Once every six months to once a year (depending on the dust content of the environment)
Power circuit connection	<ol style="list-style-type: none"> <li>1. Check whether the power cable and control cable are damaged, especially whether the skin in contact with the metal surface is cut;</li> <li>2. Check whether the insulation bandage of the power cable wiring terminal is off.</li> </ol>	Six months after the first commissioning, and then once every six months to a year
Cooling fan maintenance and replacement	<ol style="list-style-type: none"> <li>1. Check whether there are cracks in fan blades;</li> <li>2. Listen to whether there is abnormal vibration sound when the fan is running;</li> <li>3. Replace the fan in time if it is abnormal.</li> </ol>	Once a year
Circuit breaker maintenance	<ol style="list-style-type: none"> <li>1. Check the corrosion of all metal components regularly (every six months);</li> <li>2. Annual inspection of contactor to ensure good mechanical operation.</li> </ol>	Once every six months to a year
Safety features	<ol style="list-style-type: none"> <li>1. Check the function of emergency stop button and stop button;</li> <li>2. Simulated shutdown.</li> </ol>	Once every six months to a year

## 6. Precautions for Use

- 6.1 In the normal charging process, it is strictly forbidden to plug or remove the charging gun with electricity;
- 6.2 To end charging, you must first press the "Start/Stop" button, pull the gun, and then disconnect the charger to disconnect the mains;
- 6.3 Do not pull the locked gun out of the socket by brute force to avoid conductive materials such as metal foreign bodies entering the device.
- 6.4 Non-professionals do not open the charger shell to avoid damage to the charger;
- 6.5 Pay attention to the BMS power supply voltage of 12V or 24V, and select the corresponding charging model number.
- 6.6 The charger is equipped with a standard input cable. Users need to connect an external circuit breaker to

ensure that the input PE cable is reliably grounded.

6.7 Only when the input power distribution capacity is not less than the rated power of the charger, can the charger be charged at full power.

6.8 Dc charging gun is standard, no need to install it separately;

6.9 Indoor drying is forbidden to be used in rainwater environment;

6.10 If there is a heat source near the charger, please move it as far as possible and take the surrounding space into full consideration to facilitate heat dissipation;

6.11 Avoid steam, dust and metal dust;

6.12 Keep away from flammable, explosive and corrosive gases and liquids;

6.13 Stay away from electromagnetic interference sources.

## 7.The appendix

### 7.1Quality assurance

During the warranty period, the company will repair or replace new products free of charge. During the warranty period, the company requires customers to show the invoice and date of purchase. At the same time, the trademark on the product should be clearly visible, otherwise the right not to give quality assurance. The unqualified products after replacement shall be handled by our company. Customer shall allow company reasonable time to repair faulty equipment.

The company reserves the right not to guarantee quality in the following cases:

- The whole machine and parts have exceeded the free warranty period
- Transportation damage
- Incorrect installation, modification, or use
- Outdoor charging in rainy days leads to water inflow damage of charging pile.
- Extremely harsh operating conditions beyond those specified in this manual
- Machine failure or damage not caused by installation, repair, alteration or disassembly by our service personnel
- Failure or damage of the machine caused by non-standard use or not confirmed by the company
- Any beyond the scope of use specified in the relevant national standards
- Damage caused by abnormal natural conditions



Non-company personnel are prohibited to open the charging equipment, such as personal accidents, property accidents, safety accidents caused by this has nothing to do with the company.

In case of product failure caused by the above situation, if the customer requires maintenance service, the company can provide paid maintenance service after the judgment of the service organization.

### Precautions

The company does not assume any responsibility for the loss caused by the configuration software products provided with the products.

Any use of any or all of the data in the firmware or software developed by the company for commercial purposes is prohibited.

It is forbidden to decompile, decrypt or destroy the original program design of the software developed by the company.